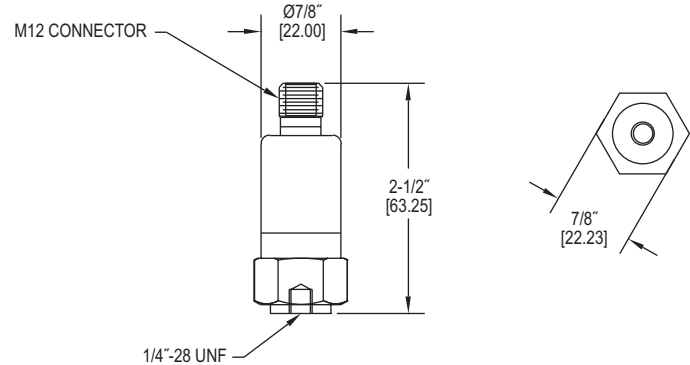


MODEL VBT-1

VIBRATION TRANSMITTER

Continuous 4 to 20 mA Output Signal



The **Model VBT-1 Vibration Transmitter** continuously detects the vibration in a system and monitors for unusual operating conditions and potential failure. The vibration is converted into an analog signal at the current output. The 2-wire loop power operation, combined with standard M12 micro cable connector and interchangeable mounting studs, make for a fast and reliable installation.

FEATURES/BENEFITS

- Easy set-up and operating concept
- Stainless steel housing
- No software required

APPLICATIONS

Vibration monitoring for:

- Motors
- Pumps
- Fans
- Engines
- Compressors
- Gear boxes

SPECIFICATIONS

Housing Material: 316 SS.

Temperature Limit: -22 to 221°F (-30 to 105°C).

Accuracy: < ±3%.

Connections: M12 connector.

Enclosure Rating: NEMA 6 (IP68).

Electrical Rating: 9.6 to 32 VDC.

Mounting Orientation: Any position.

Nonlinearity: < ±0.25% of span.

Frequency Range: 10 to 1000 Hz.

Output Signal: 4 to 20 mA.

Repeatability: < 0.5%.

Weight: 0.28 lb (0.125 kg).

Agency Approvals: CE.

MODEL CHART

Model	Description
VBT-1	Vibration transmitter

ACCESSORIES

Model	Description
A-283	4 Wire Connector