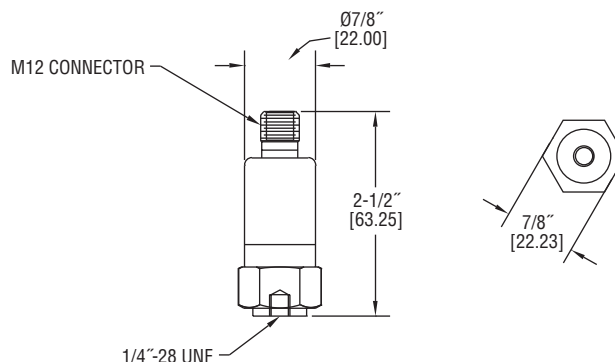




# Series VBT Vibration Transmitter

## Specifications - Installation and Operating Instructions



The Series VBT Vibration Transmitter continuously detects the vibration in a system and monitors for unusual operating conditions and potential failure. The vibration is converted into an analog signal at the current output. The VBT requires no setup, and there is no software required for configuration. The 2-wire loop power operation, combined with standard M12 micro cable connector and interchangeable mounting studs (1/4"-28 UNF/M8 (2) or the 1/4"-28 UNF), makes for a fast and reliable installation.

### SAFETY INSTRUCTIONS

- Please read the product description prior to setup of the unit. Ensure that the product is suitable for your applications without any restrictions.
- The unit conforms to the relevant regulations and EC directives.
- Improper or unintended use may lead to malfunctions of the unit or to unwanted effects in your application.
- That is why installation, electrical connection, setup, operation and maintenance of the unit must only be carried out by qualified personnel authorized by the machine operator.

### INSTALLATION

1. Mount only in a thick housing wall. See Figure 1.
2. Ensure that the signal direction is correct.

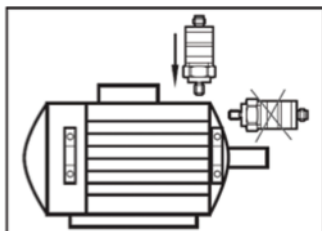


Figure 1

3. Select either 1/4"-28 UNF/M8 (2) or the 1/4"-28 UNF (3) threaded adapter and insert into the unit (1). Both adapters are supplied. Tighten using a 3 mm allen key. Tightening torque 8 Nm. See Figure 2.

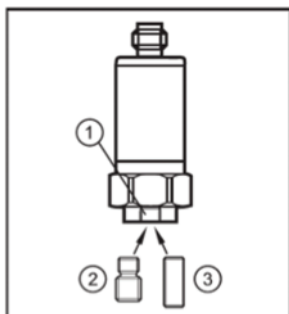


Figure 2

### SPECIFICATIONS

- Housing Material:** 316 SS.
- Temperature Limit:** -22 to 221°F (-30 to 105°C).
- Accuracy:** < ±3%.
- Connections:** M12 connector.
- Enclosure Rating:** NEMA 6 (IP68).
- Electrical Rating:** 9.6 to 32 VDC.
- Mounting Orientation:** Any position.
- Nonlinearity:** < ±0.25% of span.
- Frequency Range:** 10 to 1000 Hz.
- Output Signal:** 4 to 20 mA.
- Repeatability:** < 0.5%.
- Weight:** 0.28 lb (0.125 kg).
- Agency Approval:** CE.

4. Drill and tap a hole at the mounting location: See Figure 2
  - M8 hole/depth min. 10 mm. For (2)
  - Or 1/4" UNF hole/depth min. 13 mm. For (3)
5. Tighten the sensor with a tightening torque of 8 Nm.

### WIRING

The unit must be connected by a qualified electrician. The national and international regulations for the installation of electrical equipment must be adhered also. See Figure 3.

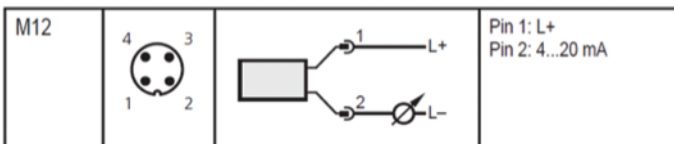


Figure 3

### MAINTENANCE/REPAIR

Upon final installation of the Series VBT, no routine maintenance is required. The Series VBT is not field serviceable and should be returned if repair is needed. Field repair should not be attempted and may void warranty.

### WARRANTY/RETURN

Refer to "Terms and Conditions of Sales" in our catalog and on our website. Contact customer service to receive a Return Goods Authorization number before shipping the product back for repair. Be sure to include a brief description of the problem plus any additional application notes.